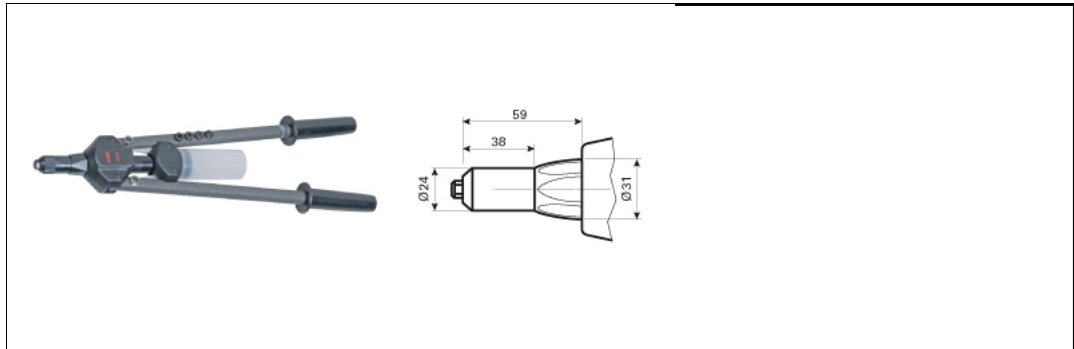


Data sheet - KW-008

Tools SK series



Description	Lever tool, for series SK, HK, LK
Order description	KW-008
Ausführung	inklusive Ausrüstung Ø 4-6 mm

uniform resource locator: