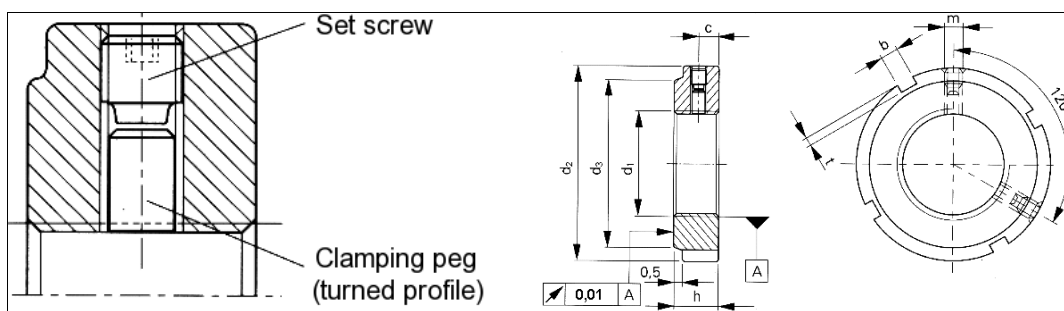


Data sheet - DRS 145x2

High-precision locknuts



3D-Data available	
Type	turned
Order description	DRS 145x2
Locking system	radial set screw
Axial runout accuracy	0.01 mm
Thread d1 4H	M145x2
d2	190 mm
h	26 mm
d3	172 mm
b	14 mm
t	6 mm
c	13 mm
m	M12
Weight g/part	2400
Material	Steel Rm 800 - 950 N/mm ² Body black finished Bare and lubricated thread and bearing surface
	Type DAS = turned version with axial locking system on request

uniform resource locator: